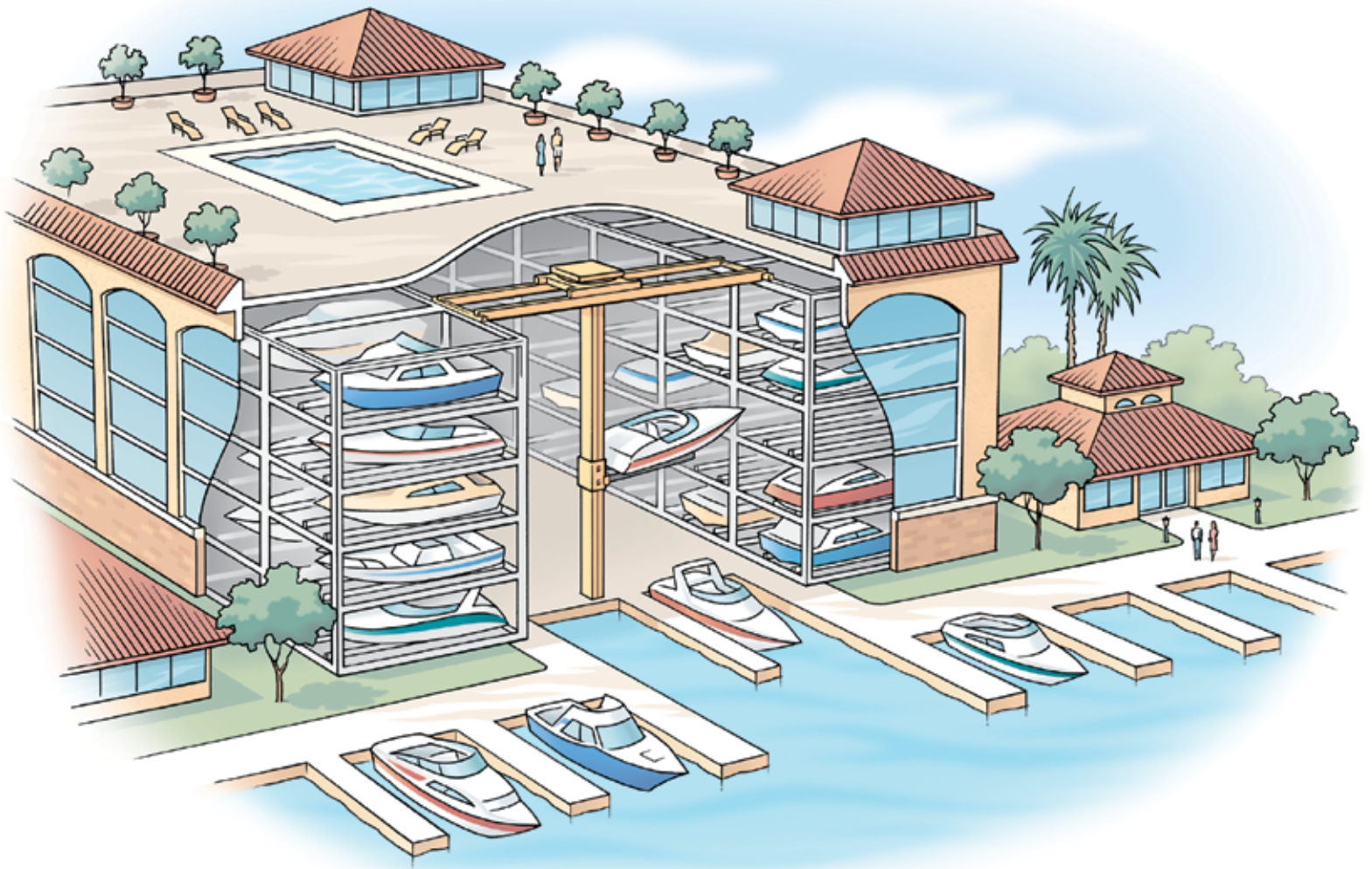




# Stack & Stow™

HIGH-DENSITY BOAT STORAGE SYSTEM





## Going up, up, up

To make the best use of limited and expensive waterfront access, marina developers are “going vertical” and building new dry slip boat storage facilities.

Stack & Stow is the most advanced boat storage/retrieval system on the market today.

- Computerized and automated.
- Custom designed to complement architectural elements.
- Engineered to meet the specific lifting needs of each marina.
- Capable of lifting boats up to 50 feet in length, and weighing up to 45,000 pounds.
- Quieter, cleaner and safer than conventional forklift vehicle systems.
- Compact, vertical and more cost-effective than traditional systems (providing a greater return on investment).

## Automatic boat storage with the push of a button

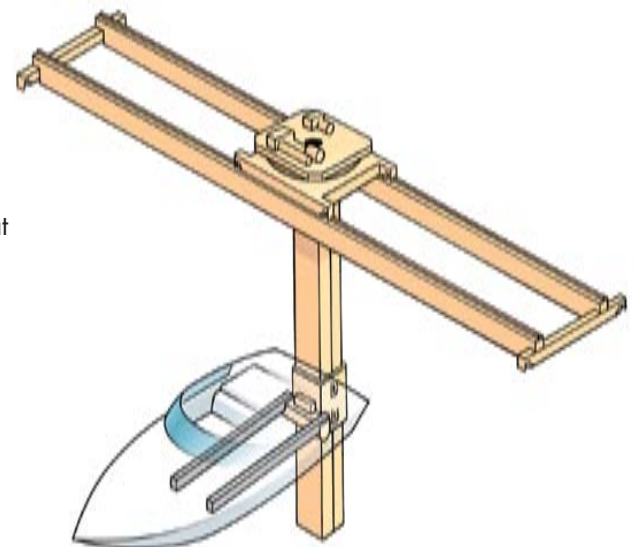
Using the pre-programmed Stack & Stow is easy. Access the secured system, then select the retrieval or storage mode.

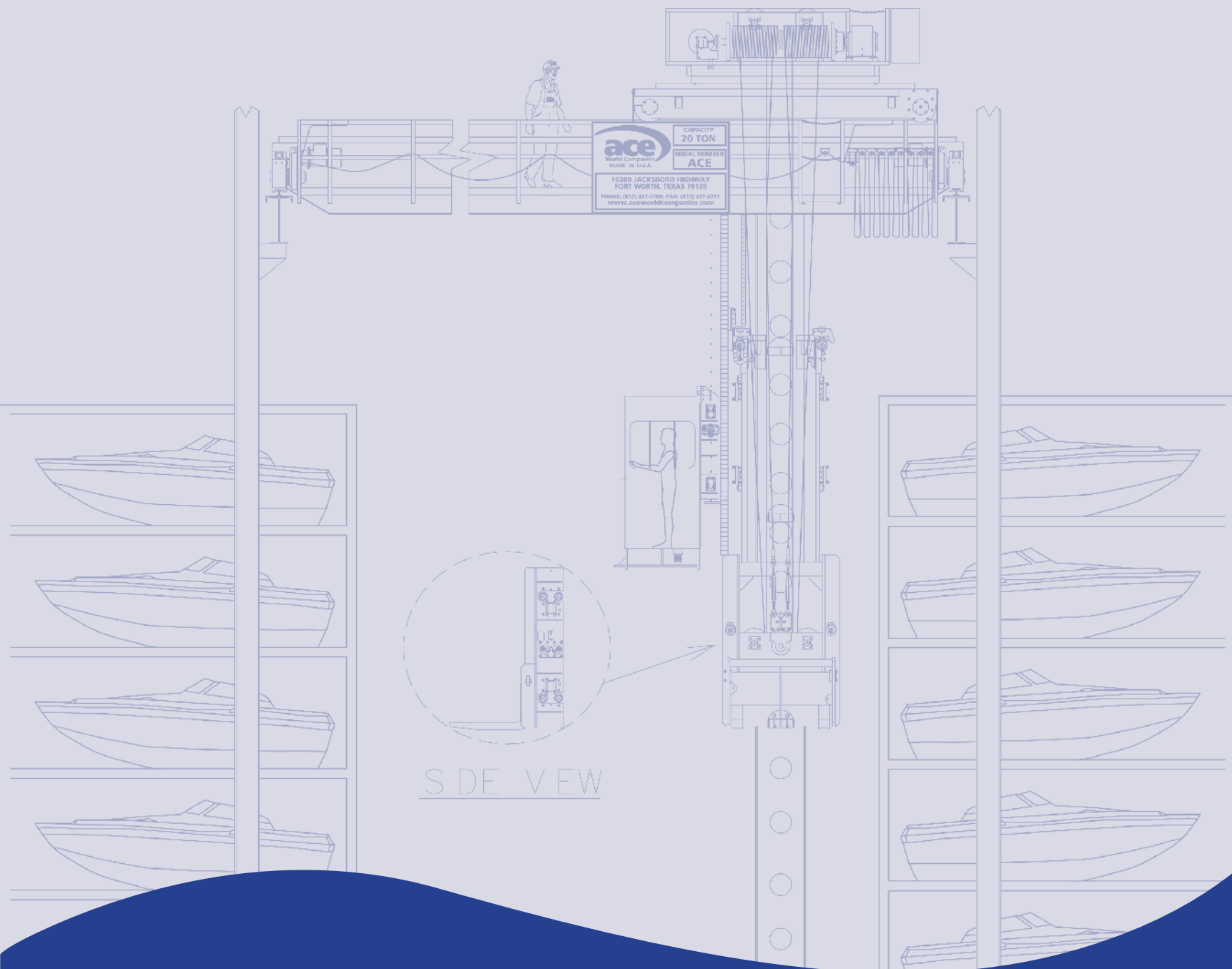
**Retrieval** moves a boat from dry storage to the water:

- Enter the boat’s identification number (up to 20 can be placed in queue).
- Padded forks pick up the boat from its dry slip and gently deliver it to the water.

**Storage** moves a boat from the water to dry storage:

- Enter the boat’s identification number and the system positions itself to raise the boat.
- When the forks are under the boat the “Store” button is activated. The system raises and moves the boat to a dry storage bay.
- The user-friendly system enables the attendant to bring in new boats whenever needed.
- The system is accurate within 1/8 of an inch.





## Stack & Stow Features

- Built to CMAA, Class "E" standards for continuous duty. Also available in Class "F" for severe duty conditions.
- Equipped with ACE Tronics Pro-maintenance software to alert when components are due for scheduled maintenance.
- Operated in fully automated, semi-automated or manual mode.
- Constructed with MCB railroad bearings for superior performance.
- 20,000 hour minimum L-10 bearing life.
- Sheaves, wheels and drums are hardened to 400 BHN for longer service life.
- Motors are NEMA framed, totally enclosed (TENV), 'H' insulated for elevated ambient temperatures and Klixon thermostat controlled.
- 24-hour online monitoring and technical support.

## Safety Features

- Rigid Mast – The rigid mast structure eliminates sway in the load when accelerating and decelerating.
- Redundant – Dual compensating cable security allows either cable to independently support the load.
- Safety Dog Design – The emergency braking "dog" automatically clamps the rail and secures the load in the event of cable failure.
- Load Limits – Load sensing controls prevent functioning in the event of overload.
- Load Catch Software – The software monitors the rotation of the motor at all times. In the event of brake slippage or malfunction, the drive locks and controls the load.
- Brake Proofing – The system "proves" the brake to verify torque prior to hoisting.
- Travel Limits – Upper and lower limit switches ensure the system will not "over-travel."

# ACE WORLD COMPANIES

Design, manufacturing and service you can count on  
from the global leader in material handling

Stack & Stow is designed and manufactured by ACE World Companies, which has supplied global industries with American-made, custom-designed, material-handling solutions since 1987.

In addition to the Stack & Stow, ACE's standard and custom products include cranes, hoists, end trucks, controls, drives and special machinery. ACE is a fully integrated design, engineering and manufacturing company.

ACE also produces electrical components and control panels for its products. For many, like the Stack & Stow, ACE creates custom software packages that include proprietary system design, programming, user training and technical support.



Crane Components & Systems

10200 Jacksboro Highway • Fort Worth, Texas 76135  
817-237-7700 • 800-431-4223 • Fax 817-237-2777  
[www.aceworldcompanies.com](http://www.aceworldcompanies.com)

